

8.6 EXTERIOR LIGHTING

8.6.1 Purpose and Intent

The provision of outdoor lighting heightens nighttime safety and visibility, and is used to enhance the security of property and people. Lighting should be provided in areas of heavy vehicle and pedestrian use, and areas that are dangerous if unlit such as stairs, intersections, or changes in grade. It is important to set clear guidelines so that lighting adequately serves the site while minimizing negative impacts on surrounding properties.

8.6.2 Lighting Plan

Any development that proposes exterior lighting shall include a detailed exterior lighting plan as part of the plan submission. This plan shall include:

- A) Specifications for the lighting fixtures such as: type of unit (cutoff, non-cutoff, glare shields, etc.), lamps (wattage, etc.), electrical load requirements, utility company involved, method of wiring, routing/location of lines, location of lights, and mounting heights.
- B) An isofootcandle plan that shows typical foot-candle contours or a point photometric grid that indicates foot-candle levels measured at grade across the site. A point photometric plan is required for major site plans. Other information such as: maximum, average, and minimum site foot-candles and uniformity ratio (average/minimum) should also be included. Foot-candle levels shall be shown at initial levels.
- C) Cross-sections of all lighted perimeter areas immediately adjacent to existing residential properties indicating how all exterior lighting (site and building mounted lighting) will be designed to limit spillover light and control off-site glare (see Sec. 8.6.4.D.4). A cross-section must be provided for each adjoining single-family residential property. Where the developing site adjoins multi-family residential property, a typical cross-section must be provided at 100 foot intervals along the common property line. The cross-sections must accurately represent existing site topography of the residential properties, sections of the residential units, and proposed topography and site/architectural elements (buildings, retaining walls, lights, landscape screening, etc.) of the developing site (see Sec. 8.6.4.A).
- D) Plan certification by a licensed lighting professional holding the PE, LC or CLEP certification or similar certification that indicates proficiency in the design of

outdoor lighting, a lighting manufacturer, or the local electric utility. The certification must verify that the plans meet the Town’s design requirements and illumination standards.

8.6.3 Illumination Standards

The tables below set forth standards for lighting intensity based upon the land use or activity involved. Values are presented in initial foot-candles measured at grade. Site lighting shall not exceed these initial average foot-candle levels. Average values must be calculated using the levels found within the lighted area; for example, a parking lot must be calculated using the levels found within the curb to curb or paved parking area only.

Table 8.6-1: Lighting Standards for General Parking with Pedestrian Areas (initial foot-candles)

Use	Horizontal Illuminance	
	Avg	Uniformity Ratio (Average/minimum)
- Multi-family residential or condominium (stacked flat)	4	8/1
- Retail	4	4/1
- Office	2	4/1
- Industrial		
- Educational		
- Cultural, civic, and recreational		
- Church or place of worship		
- Townhomes and other attached residential		

Table 8.6-2: Other Exterior Lighting Standards (initial foot-candles)

Location	Horizontal Illuminance	
	Avg	Uniformity Ratio (Average/minimum)
*Vital locations (entry/exit doors, service areas, ATMs, bicycle parking, etc.)	5.0	4/1
Sidewalks	1.0	4/1
Vehicular use area other than parking (service areas, drives and approach ways, private access roads, etc.)	1.0	4/1
Storage yards	4.0	4/1
Loading/unloading docks and platforms	15.0	4/1
Auto sales yard/enclosed outdoor display	10.0	8/1
General recreational areas (fields**, playgrounds, courts**, pools)	10.0	4/1

*Average initial levels for vital locations shall be generally based on an area 10 feet by 10 feet or the limits of the specific area.

** See 8.6.4.I-J for specific exceptions to this standard.

8.6.4 Design Requirements

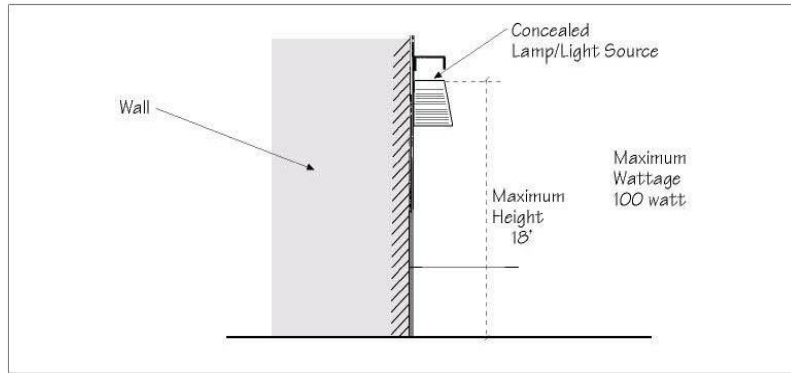
Exterior lighting, such as that used in and around buildings, recreation areas, parking lots, and signs, shall be designed to prevent the excessive spillover of light onto adjacent properties. It shall also be designed to protect against glare onto public rights-of-way thereby impairing the vision of motorists and adversely impacting adjoining properties. All exterior lighting shall be shielded from adjacent properties by existing vegetation, thick evergreen vegetated buffers, berms, walls, or fences, and/or the use of directional lighting, lighting shields, special fixtures, timing devices, appropriate light intensities, luminaries, and mountings at appropriate heights. External and/or internal shields are required on all lights in vehicular use areas and lights mounted to buildings where they are immediately adjacent to residential uses (such as along the edges of parking lots or mounted to the rear of buildings close to residential uses). All outdoor lighting shall conform to the following design standards:

A) **Mounting Heights**

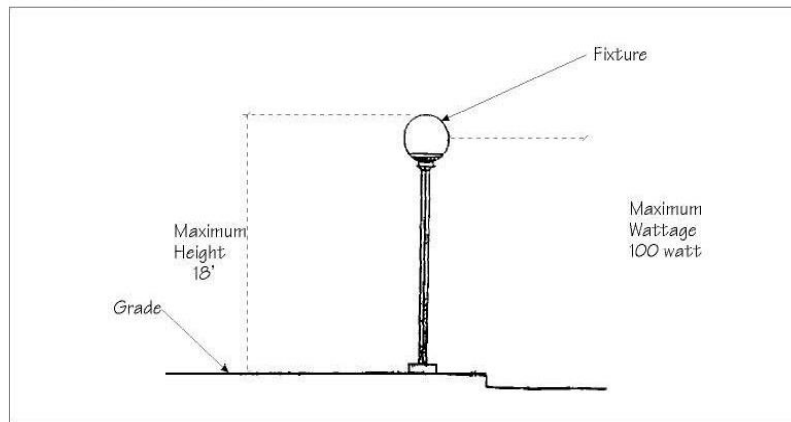
Outdoor lighting fixtures shall be designed, located and mounted at heights shown to be appropriate in cross section (see also Sec. 8.6.2(C)), but in no case shall be greater than:

- 1) 18 feet above grade for *non-cutoff* lights (see Sec. 8.6.4(D)(2));

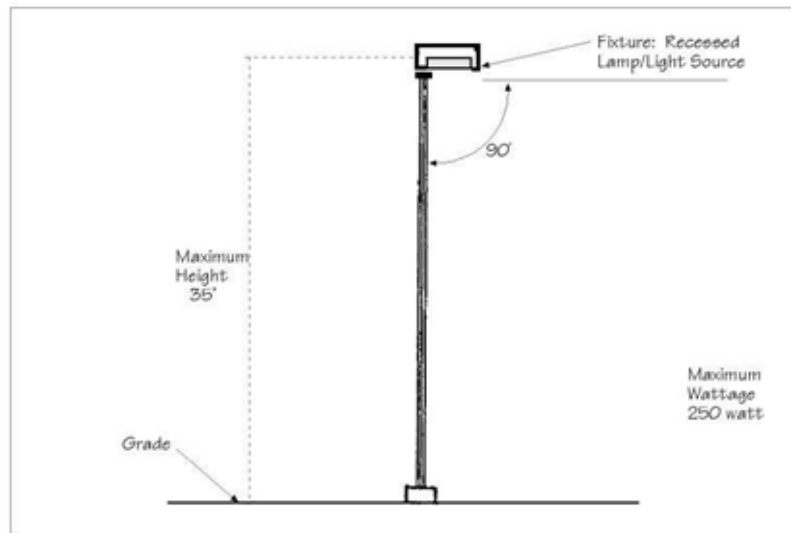
- 2) 35 feet above grade for *cutoff* lights (see Sec. 8.6.4(D)(3)). The height for *cutoff* lights along the perimeter of non-residential sites where they are immediately adjacent to adjoining residential properties shall be designed based on cross sections as required by Sec. 8.6.2(C);
- 3) Mounting height is measured from the finished grade or surface and includes the total height of the fixture, pole, and any base or other supporting structure required to mount the light(s).



WALL-PACK LIGHT FIXTURES



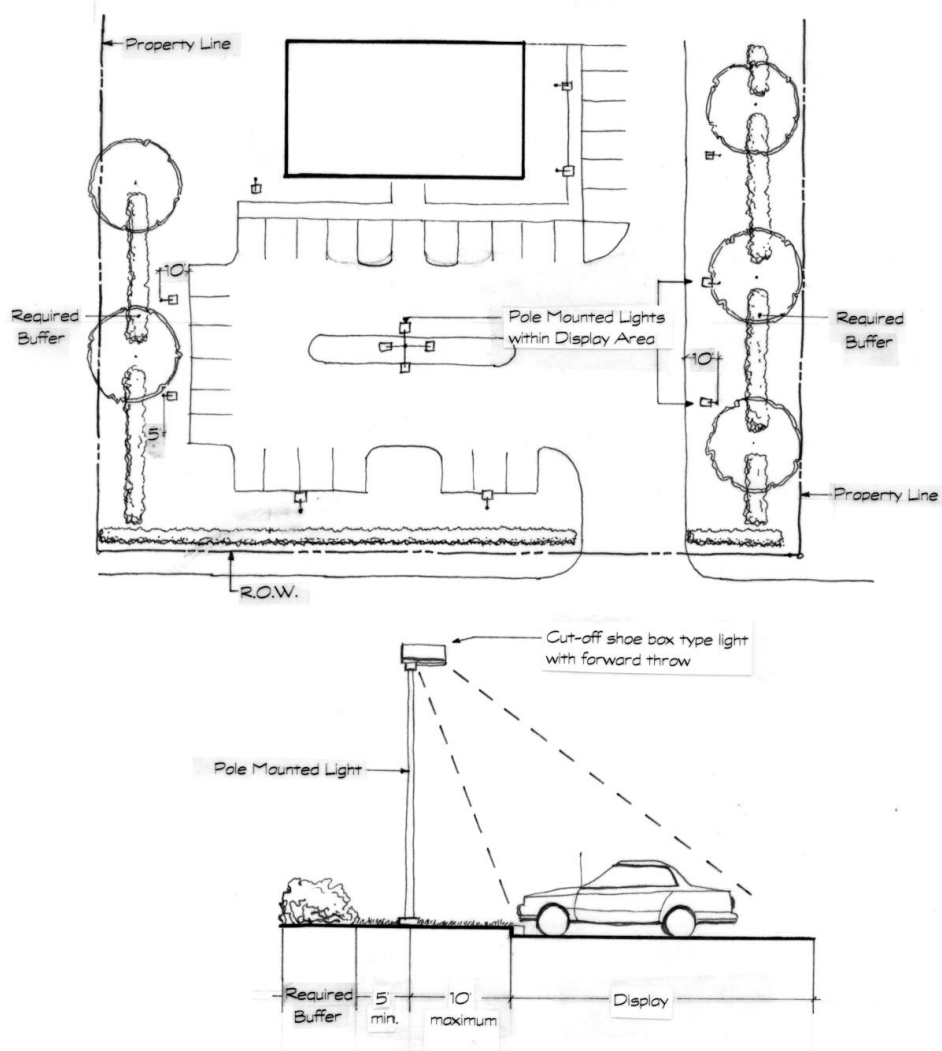
NON-CUTOFF LIGHT FIXTURE



CUTOFF LIGHT FIXTURE

B) **Location**

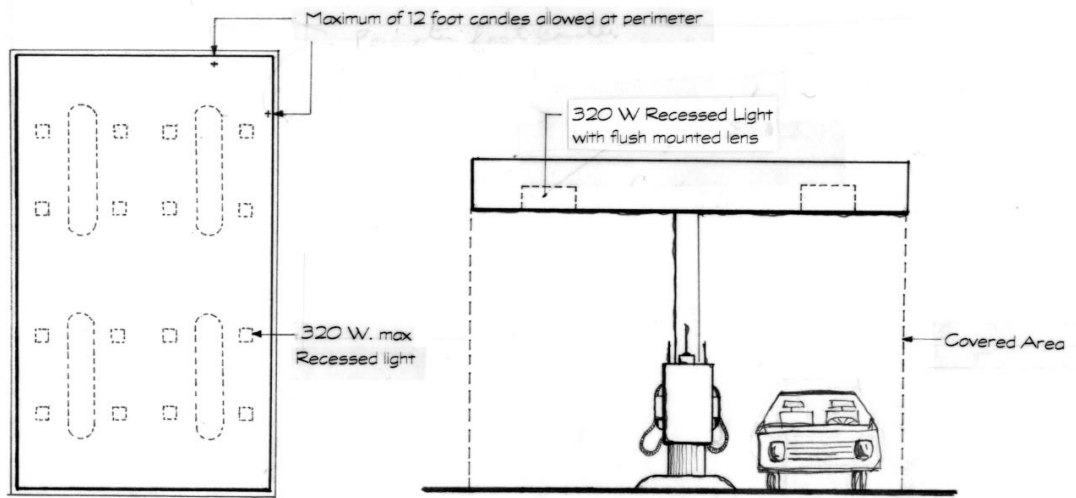
- 1) All outdoor lighting fixtures shall be located a minimum of 10 feet from a property or right-of-way line, and should be kept out of and at least 2 feet away from any required perimeter or streetscape buffer, and tree save area.
- 2) The layout of lighting shall be designed so that poles do not interfere with other elements of the approved site such as trees, landscaping, and parking. In general, poles should be kept at least 20 feet away from the trunk of any large type tree and at least 10 feet away from the trunk of any small type tree.
- 3) Lighting for outdoor display areas, such as auto dealerships, must be located inside the illuminated area or no more than 10 feet away from the outside edge of the illuminated area so that the amount of direct glare and the visual field of view does not present a safety hazard to the passing motorist.



8.6.4(B) Location/Lighting for Outdoor Display

- C) ***Architectural/Site Compatibility***
Lighting fixtures shall be of a design and size compatible with the principal building of a development and adjacent areas, and shall be designed to be an integral part of the entire development site. Light fixtures and poles will be considered neutral elements of the site and must be finished in black, dark brown, or architectural bronze. All light fixtures/poles on site including building mounted lighting shall be the same color throughout the development. Bright colors or white are prohibited.
- D) ***Spillover Light and Glare Control***
- 1) All outdoor lighting shall be designed and located such that the maximum illumination measured in initial foot-candles at the property line shall not exceed 0.3 onto adjacent residential sites and 1.0 onto adjacent non-residential sites and public rights-of-way.
 - 2) Non-cutoff lights are prohibited along the perimeter of non-residential sites where they are immediately adjacent to adjoining residential properties. Non-cutoff lights may require external caps and/or internal shields to control glare.
 - 3) Cutoff lights shall be *full* cutoff with no sag-type lenses;
 - 4) Cutoff lights used along the perimeter of non-residential sites where they are immediately adjacent to adjoining residential properties must be fitted with externally mounted shields placed on the residential side. The shields must be appropriately sized to sufficiently limit visible glare from the light onto the residential properties. Additional internal shields or other devices may be required to direct the light away from residential properties.
- E) ***Wattage***
Lamps for non-cutoff fixtures shall not exceed 100 watts. Lamps for cut-off fixtures shall not exceed 250 watts.
- F) ***Building, Ground Mounted Fixtures and Accent Lighting***
Lighting shall not be mounted to buildings or used to illuminate buildings or other site features unless approved as integral elements on the development plan. Lighting will not be approved unless the light fixtures are carefully selected, located, aimed, and shielded so that light is directed only onto limited parts of the building façade, specimen landscape, and site features, and spillover light is minimized (see also Secs. 8.6.4(C) *Architectural/Site Compatibility*, 8.6.4(D) *Spillover Light and Glare Control*, and 8.6.4(E) *Wattage*). Building, ground mounted fixtures and accent lighting must meet the following criteria:
- 1) Lights must not be used to illuminate entire portions of building(s), landscape, or site features.
 - 2) Building mounted lights such as wall-pack and goose-neck type fixtures shall be fully shielded, true cutoff type fixtures (concealed lamp/light source). The lighting must be directed downward, and the wattage must not exceed 100 watts.
 - 3) Accent lights must be low-wattage or low-voltage and the maximum illumination on any surface shall not exceed 5.0 average initial foot-candles.

- 4) Awnings and canopies used for building accents over doors, windows, and etc. shall not be internally lit (i.e., from underneath or behind). If lit from above, the lighting must be spaced sparingly so that only limited portions of awnings and canopies are accented.
 - 5) Lights that flash, move, revolve, rotate, scintillate, blink, flicker, vary in intensity or color, or use intermittent electrical pulsation are prohibited. Continuous lighting such as, but not limited to tubes or strings of lights on rooflines and building edges are prohibited (see also Sec. 8.7.2(l) *Prohibited Signs*).
- G) **Floodlights**
 Floodlights or similar types of directional lighting attached to light poles or buildings to illuminate large portions of the site and/or building(s) are prohibited unless the Director of Planning gives special permission and approval is given through the development review process. The use of floodlights or similar types of directional lighting will only be considered for special approval for Industrial type uses or where it can be demonstrated that extreme site or design constraints warrant their use.
- H) **Lighting for Gas Station/Convenience Store Canopies**
 Lighting for canopies for service stations and similar uses shall be restricted to no more than two 320 watt recessed lighting fixtures (including lenses) mounted flush with the bottom of the canopy on each side of a gasoline pump island, or any other design that meets the standards of this ordinance. Lighting for canopies for service stations and other similar uses such as but not limited to bank and pharmacy drive through, and large covered main entrance canopies shall not exceed an initial maximum level of 12 foot-candles as measured at ground level at the inside of the outside edge of the canopy and an initial average level of 25 foot-candles under the canopy.



Canopy Plan View

Gas Pump Island / Canopy

8.6.4(H) Exterior Lighting Design Requirements – Lighting for Gas Stations & Convenience Store Canopies

- I) **Sports and Athletic Field Lighting**
 Lighting for ball fields and sports courts may need to exceed illumination standards for general recreational needs in order to meet higher standards required for tournament play. The Director of Planning must approve any

deviations from the illumination standards; however, before any changes will be considered the sports lighting must meet these minimum standards:

- 1) Fixtures must not exceed 80 feet in mounting height (this includes bases and/or other mounting structures).
- 2) Fixtures must be fitted with the manufacturer's glare control package. If the manufacturer does not have a glare control package, the fixture specification must be changed to a manufacturer that offers a glare control package.
- 3) Fixtures must be designed and aimed so that their beams fall within the primary playing area and the immediate surroundings, so that off-site direct illumination is significantly restricted. Spillover levels at the property line must not exceed 0.3 foot-candles onto residential properties.
- 4) Lighting shall be extinguished no later than one (1) hour after the event ends.

J) ***Private Recreation Facility Lighting***

Lighting for ball fields and sports courts at a private recreation facility may exceed illumination standards set forth in this Section in order to meet higher standards required for active recreation. The Director of Planning must approve any deviations from the illumination standards; however, before any changes will be considered the proposed lighting must meet these minimum standards:

- 1) Fixtures must not exceed 35 feet in mounting height (this includes bases and/or other mounting structures).
- 2) Fixtures must be fitted with the manufacturer's glare control package. If the manufacturer does not have a glare control package, the fixture specification must be changed to a manufacturer that offers a glare control package.
- 3) Fixtures must be designed and aimed so that their beams fall within the primary playing area and the immediate surroundings, so that off-site direct illumination is significantly restricted. Spillover levels at the property line must not exceed 0.3 foot-candles onto residential properties.
- 4) Lighting shall be extinguished no later than 10:00 pm.
- 5) A 10-foot Type A buffer shall be required along any property line of the private recreation facility when such lighting fixture is within 100 feet of a residential use.
- 6) Such lighting shall be proposed at the time of Master Subdivision Plan or Site Plan approval for new private recreation facilities. Approval of a Special Use Permit and a revised Site Plan Lighting Sheet and Landscape Sheet are required for any proposal to exceed illumination standards of this Section at an existing private recreation facility.

K) ***Illuminated Tubing or Strings of Light***

Illuminated tubing or strings of light on trees and landscaping or outlining property lines or open sales areas, rooflines or wall edges of buildings are prohibited except as provided in Sec. 8.7.1.A.25 *Holiday*. This prohibition does not apply to Town of Apex owned trees provided that the illuminated tubing or strings of lights on trees are not permanently installed and are removed from the tree and reinstalled or replaced at least twice per year.

- L) ***Illumination for a Regional Recreation Complex***
- 1) Unless specifically exempted or amended below, all exterior lighting must meet the standards found in Section 8.6 *Exterior Lighting* of the UDO. Structures erected to support and function as operational elements of outdoor amusements such as, but not limited to, bungee jumping, ropes courses, and zip-lines may be illuminated.
 - 2) Lights shall not be used to illuminate entire portions of building(s), landscape, or site features.
 - 3) Building-mounted lights such as wall-pack and goose-neck type fixtures shall be fully shielded, true cutoff type fixtures (concealed lamp/light source). The lighting must be directed downward, and the wattage must not exceed 100 watts.
 - 4) Awnings and canopies used for building accents over doors and windows shall not be internally lit (e.g. from underneath or behind). If lit from above, the lighting must be spaced sparingly so that only limited portions of awnings and canopies are accented.
 - 5) Critical areas associated with an outdoor amusement activity, such as, but not limited to, entrances and exits, approaches and mounting areas, queue and waiting areas, ticket booths or similar service facilities, and observation areas must be reasonably sized for the purpose they serve and identified and laid out on plans in close proximity to the outdoor amusement activities that they serve. Illumination standards for these areas shall not exceed a horizontal illuminance average of 5.0 foot candles and a uniformity ratio of 4/1 (average/minimum) and height of 35 feet.
 - 6) Except as allowed under Section 8.6.4(F) *Building, Ground Mounted Fixtures and Accent Lighting*, all up-lighting, spot lights, and floodlights are prohibited.
 - 7) Lights that flash, move, revolve, rotate, scintillate, blink, flicker, vary in intensity or color, or use intermittent electrical pulsation are prohibited. Continuous lighting such as, but not limited to, tubes or strings of lights on rooflines, building edges, and outdoor amusement activities are allowed (see also Section 8.7.2(I) *Prohibited Signs*).

8.6.5 Exemptions

The standards of this section shall not apply to:

- A) Individual residential lighting that is not reviewed as part of a development plan, except for a *Single Family Recreational Use* as defined in Sec. 4.5.4.
- B) Lighting associated with temporary uses that have been permitted, provided that the lighting meets the general standards of this section.
- C) Seasonal lighting that is part of customary holiday decorations and annual civic events, provided that it meets all the requirements of Sec. 8.7.1(A)(25) *Holiday*.
- D) Lighting associated with sign illumination as set forth in Section 8.7.6(B) *Sign Illumination*.
- E) Municipal lighting installed within public rights-of-way or on Town-owned property for the benefit of public health, safety, and welfare.

8.6.6 Final Inspection

Before certificates of occupancy are released, the owner/builder must supply the Town with a final letter of certification from the lighting engineer, qualified lighting professional (Sec. 8.6.2 (C)), or lighting manufacturer verifying that all site lighting is installed according to Town standards, the approved plans, and any applicable conditions. The certification must include a report indicating that all site and exterior mounted building lighting was inspected and the light levels measured and recorded (including spillover lighting). Any irregularities or deviations from the approved site plan, Town standards, or applicable conditions must be pointed out in the report.